

Explosionproof Ballast Fitting



- Explosion protection to CENELEC IEC
- Can be used in Zone 1 & 2 Zone 21 & 22
- Applicable to lamp (max. 400w) of HIE, HSE and HME
- Enclosure in copper-free aluminium, powder coated external surface, yellow (RAL 1021)
- Choke ballast, rapid starting, stable performance

Technical Data

Explosion Protection

Gas explosion protection :  II 2 G Ex d IIB T6
Dust explosion protection : Ex tD A21 T80°C IP65

Certificates

: ATEX / IECEx

Material of Construction

Enclosure : Copper free aluminium, powder coated external surface, yellow (RAL1021)
Exposed fastener : Stainless steel

Available Lamp

: High pressure sodium lamp (HSE): 70w, 100w, 150w, 250w, 400w
: High pressure mercury lamp (HME): 80w, 125w, 175w, 250w, 400w
: Metal halide lamp (HIE): 70w, 100w, 150w, 175w, 250w, 400w
Note: HPI European standard ballast is available in general

Rated Voltage

: 220 ~ 240V AC 50 (60Hz is optional)
Note: other voltage on request

Earthing Protection

: M5 (internal & external earth bolts)

Degree of Protection

: IP65

Ambient Temperature

: -20°C ~ +55°C

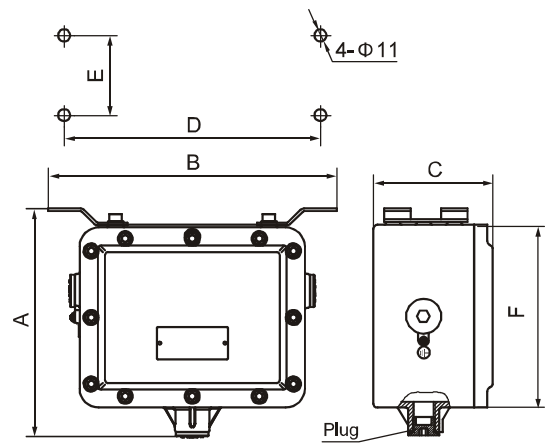
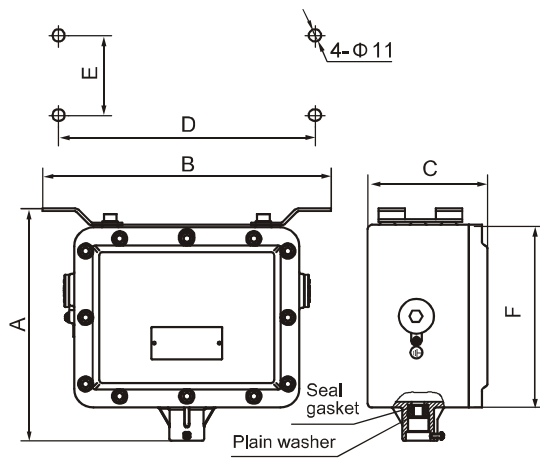
Terminal

: 3 x 1.5 ~ 4sqmm (L+N+PE)

Cable entries

: 3 x M25 x 1.5 Plug for independant type
2 x M25 x 1.5 Plug for block type
With seal gasket and plain washer at bottom entries

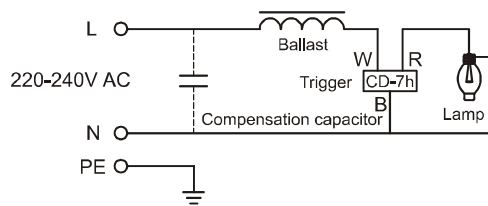
Dimension drawings (all dimensions in mm) - subject to alteration



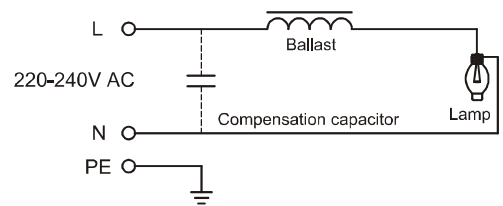
Enclosure	Size (mm)					
	A	B	C	D	E	F
I	245	301	135	265	65	190
II	265	331	140	295	65	210

Enclosure	Size (mm)					
	A	B	C	D	E	F
I	240	301	135	265	65	190
II	250	331	140	295	65	210

Schematic diagram of light fittings and ballasts



Schematic diagram 1 (For HSE or HIE)



Schematic diagram 2 (For HME)