

Explosionproof Tank Inspection Vessel Light Fitting



- Explosion protection to CENELEC IEC
- Can be used in Zone 1 and 2
- Available for 35w or 50w halogen tungsten lamp, with high light efficiency and long service life
- A or B mounting type is optional
- Enclosure in copper-free aluminium, powder coated external surface, yellow (RAL 1021)

Technical Data

Explosion Protection

Gas explosion protection :  II 2 G Ex d IIB T3

Certificates

: ATEX / IECEx

Material of Construction

Enclosure : Copper free aluminium, powder coated external surface, yellow (RAL1021)
Glass cover : Toughened glass, impact resistance and high light transmission
Exposed fastener : Stainless steel

Lamp

Available Lamp : Halogen tungsten lamp
Lamp holder : GY6.35
Lamp Wattage : 35w ; 50w

Rated Voltage

: 220 ~ 240V AC 50Hz

Earthing Protection

: M5 (internal & external earth bolts)

Degree of Protection

: IP65

Ambient Temperature

: -20°C ~ +55°C

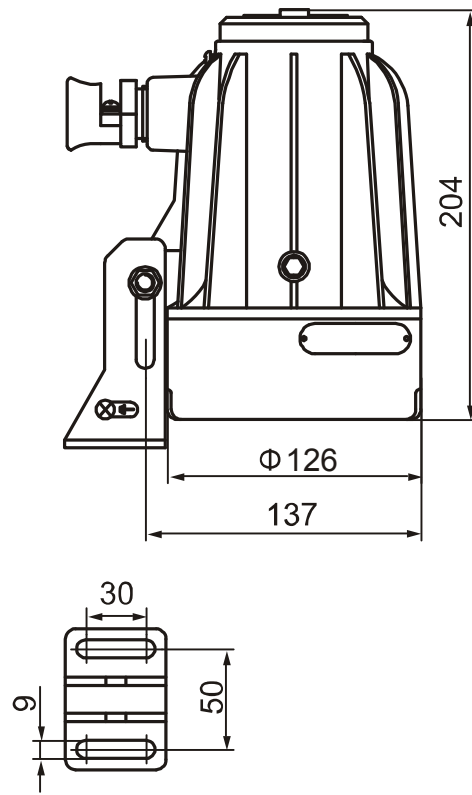
Terminal

: 3 x 1.5 ~ 4sqmm (L+N+PE)

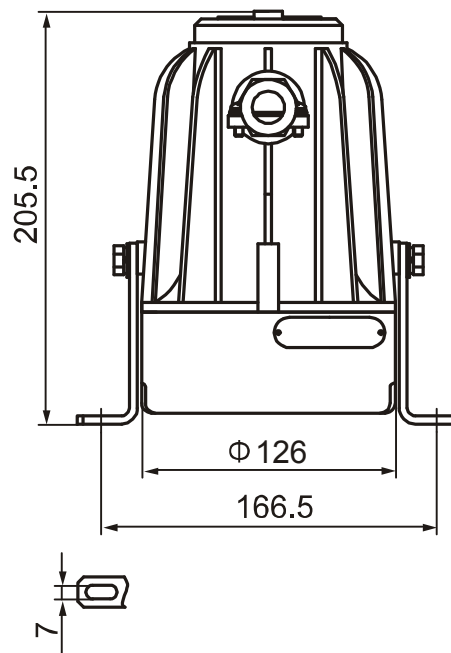
Cable entries

: 1 x G3/4"

Dimension drawings (all dimensions in mm) - subject to alteration



(A)



(B)