


Explosionproof Flood Light Fitting



- Explosion protection to CENELEC IEC NEC
- Can be used in Zone 1 & 2 Zone 21 & 22
- 3 enclosure types: 125w, 250w, 400w
- Integral control gear, easy installation and maintenance
- Rapid starting trigger, stable performance and long service life
- Enclosure in copper-free aluminium, powder coated external surface, yellow (RAL 1021)
- Toughened glass cover resistant to temperature changes

Technical Data

Explosion Protection

Gas explosion protection :  II 2 G Ex de IIB T4 Ex de IIB T4 Gb
Dust explosion protection : Ex tD A21 T130°C IP65

Certificates

: ATEX / IECEx / FM(USA)

Material of Construction

Enclosure : Copper free aluminium, powder coated external surface, yellow (RAL1021)
Ballast : Choke ballast, rapid starting, stable performance
Wire Guard : Powder coated carbon steel (white)
Internal reflector : High purity aluminium
Trigger : Explosionproof electronic trigger
Capacitor : Power factor ≥ 0.85 (compensated)
Exposed fastener : Stainless steel

Lamp

Lamp holder : E27
Lamp Wattage : High pressure sodium lamp (HSE): 70w, 100w
: High pressure mercury lamp (HME): 80w, 125w
: Metal halide lamp (HIE): 70w, 100w, 150w
Note: HPI European standard ballast is available in general

Rated Voltage

: 220 ~ 240V AC 50 (60Hz is optional)

Earthing Protection

: M5 (internal & external earth bolts)

Degree of Protection

: IP65

Ambient Temperature

: -20°C ~ +55°C

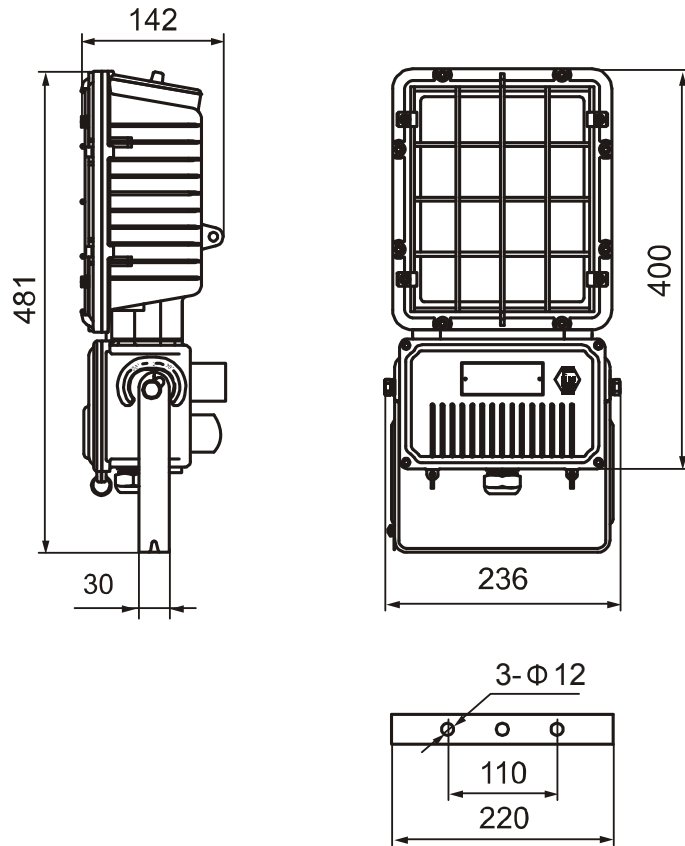
Terminal

: 3 x 1.5 ~ 4sqmm (L+N+PE)

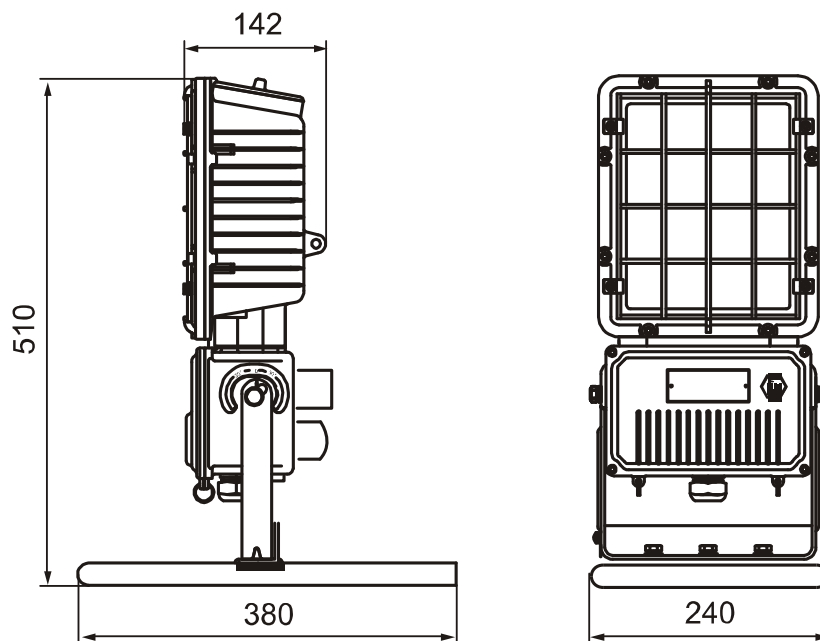
Cable entries

: 2 x M20

Dimension drawings (all dimensions in mm) - subject to alteration



G: fixed type



Y: movable type


Explosionproof Flood Light Fitting



- Explosion protection to
CENELEC
IEC
NEC
- Can be used in Zone 1 & 2 Zone 21 & 22
- 3 enclosure types: 125w, 250w, 400w
- Integral control gear, easy installation and maintenance
- Rapid starting trigger, stable performance and long service life
- Enclosure in copper-free aluminium, powder coated external surface, yellow (RAL 1021)
- Toughened glass cover resistant to temperature changes

Technical Data

Explosion Protection

Gas explosion protection :  II 2 G Ex de IIB T3 Ex de IIB T3 Gb
Dust explosion protection : Ex tD A21 T190°C IP65

Certificates

: ATEX / IECEx / FM(USA)

Material of Construction

Enclosure : Copper free aluminium, powder coated external surface, yellow (RAL1021)
Ballast : Choke ballast, rapid starting, stable performance
Wire Guard : Powder coated carbon steel (white)
Internal reflector : High purity aluminium
Trigger : Explosionproof electronic trigger
Capacitor : Power factor ≥ 0.85 (compensated)
Exposed fastener : Stainless steel

Lamp

Lamp holder : E40
Lamp Wattage : High pressure sodium lamp (HSE): 150w, 250w
: High pressure mercury lamp (HME): 175w, 250w
: Metal halide lamp (HIE): 175w, 250w
Note: HPI European standard ballast is available in general

Rated Voltage

: 220 ~ 240V AC 50 (60Hz is optional)

Earthing Protection

: M5 (internal & external earth bolts)

Degree of Protection

: IP65

Ambient Temperature

: -20°C ~ +55°C

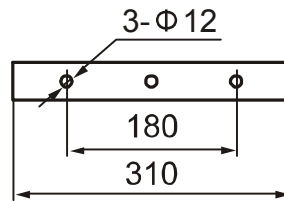
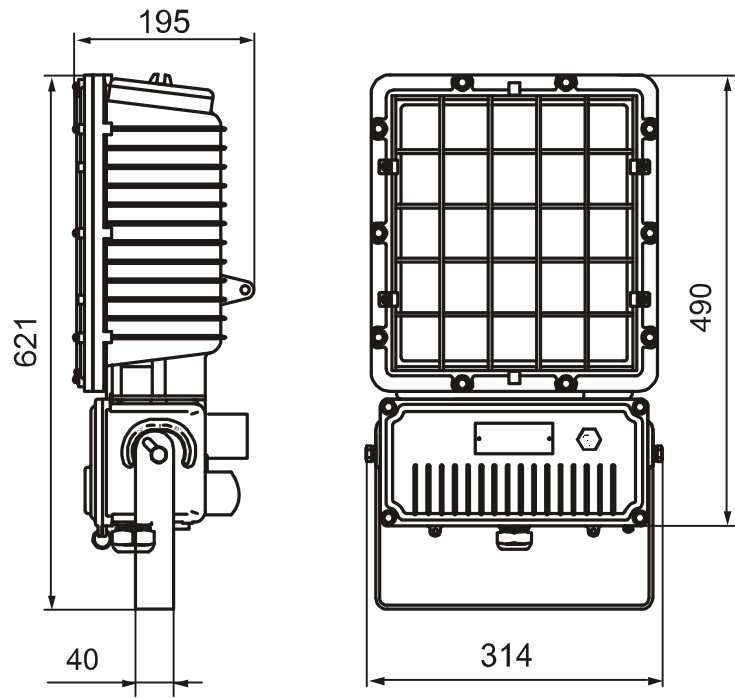
Terminal

: 3 x 1.5 ~ 4sqmm (L+N+PE)

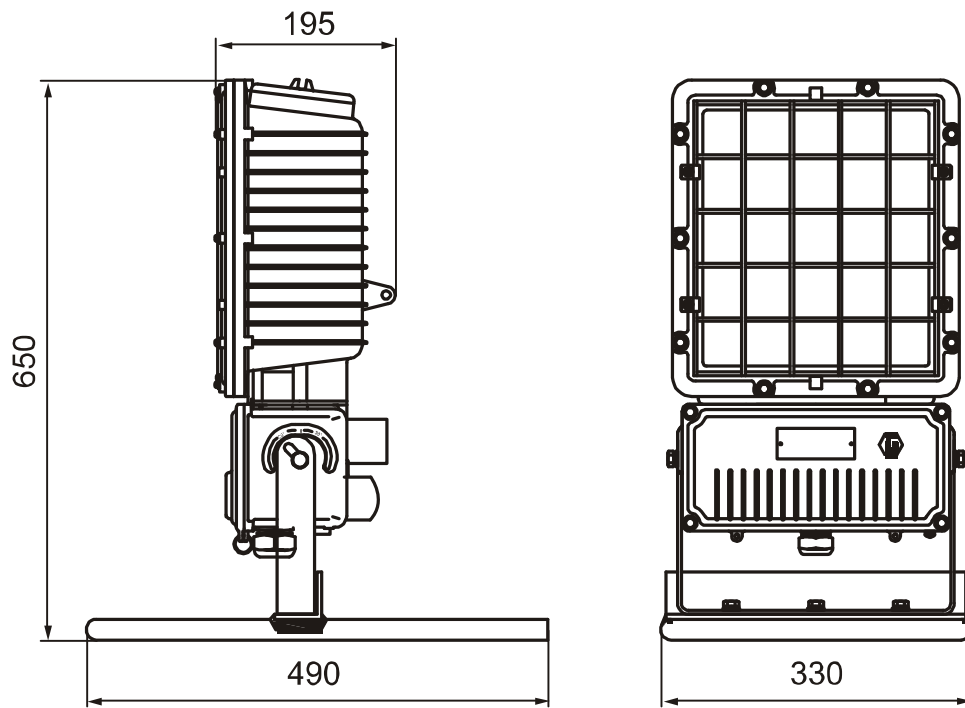
Cable entries

: 2 x M25

Dimension drawings (all dimensions in mm) - subject to alteration



G: fixed type



Y: movable type


Explosionproof Flood Light Fitting



- Explosion protection to
CENELEC
IEC
NEC
- Can be used in Zone 1 & 2 Zone 21 & 22
- 3 enclosure types: 125w, 250w, 400w
- Integral control gear, easy installation and maintenance
- Rapid starting trigger, stable performance and long service life
- Enclosure in copper-free aluminium, powder coated external surface, yellow (RAL 1021)
- Toughened glass cover resistant to temperature changes

Technical Data

Explosion Protection

Gas explosion protection :  II 2 G Ex de IIB T3
Dust explosion protection : Ex tD A21 T190°C IP65

Certificates

: ATEX / IECEX / FM(USA) / BRAZIL

Material of Construction

Enclosure : Copper free aluminium, powder coated external surface, yellow (RAL1021)
Ballast : Choke ballast, rapid starting, stable performance
Internal reflector : High purity aluminium
Trigger : Explosionproof electronic trigger
Capacitor : Power factor ≥ 0.85 (compensated)
Exposed fastener : Stainless steel

Lamp

Lamp holder : E40
Lamp Wattage : High pressure sodium lamp (HSE): 400w (tubular)
: Metal halide lamp (HIE): 400w (tubular)
Note: HPI European standard ballast is available in general

Rated Voltage

: 220 ~ 240V AC 50 (60Hz is optional)

Earthing Protection

: M5 (internal & external earth bolts)

Degree of Protection

: IP65

Ambient Temperature

: -20°C ~ +55°C

Terminal

: 3 x 1.5 ~ 4sqmm (L+N+PE)

Cable entries

: 2 x M25

Dimension drawings (all dimensions in mm) - subject to alteration

