



Explosionproof Pendant Light Fitting



- Explosion protection to CENELEC IEC NEC
- Can be used in Zone 1 & 2 Zone 21 & 22
- Available lamp (max. 400w)
 - Metal halide lamp (HIE)
 - High pressure mercury lamp (HME)
 - High pressure sodium lamp (HSE)
- Three enclosure types: 125, 250, 400
- Integral control gear, easy installation and maintenance
- Explosionproof trigger, rapid starting, stable performance and long service life
- Wireless connection between body and top cover, easy installation and maintenance
- Powder coated wire guard, white
- Toughened glass cover resistant to temperature changes

Technical Data

Explosion Protection

Gas explosion protection	:  II 2 G Ex d IIC T4/T3 Gb
Dust explosion protection	:  II 2 D Ex tD A21 T135°C/T200°C IP66

Certificates

: ATEX / IECEx / FM(USA)

Material of Construction

Enclosure	: Copper free aluminium, powder coated external surface, yellow (RAL1021)
Wire Guard	: Powder coated carbon steel (white)
Transparent cover	: Toughened glass, stands 4J impact
Ballast	: Choke ballast, rapid starting, stable performance
Trigger	: Explosionproof trigger
Capacitor	: Power factor ≥ 0.85 (compensated)
Internal reflector	: High purity aluminium
External reflector (optional)	: pure aluminium, anodised
Exposed fastener	: Stainless steel

Lamp

Lamp holder	: E27
Lamp Wattage	: HIE: 70w, 100w, 150w
	: HME: 80w, 125w
	: HSE: 70w, 100w
	Note: HPI European standard ballast is available in general

Rated Voltage

: 220 ~ 240V AC 50 (60Hz is optional)

Earthing Protection

: M5 (internal & external earth bolts)

Degree of Protection

: IP66

Ambient Temperature

: -60°C ~ +40°C: T4/T135°C; -60°C ~ +55°C: T3/T200°C

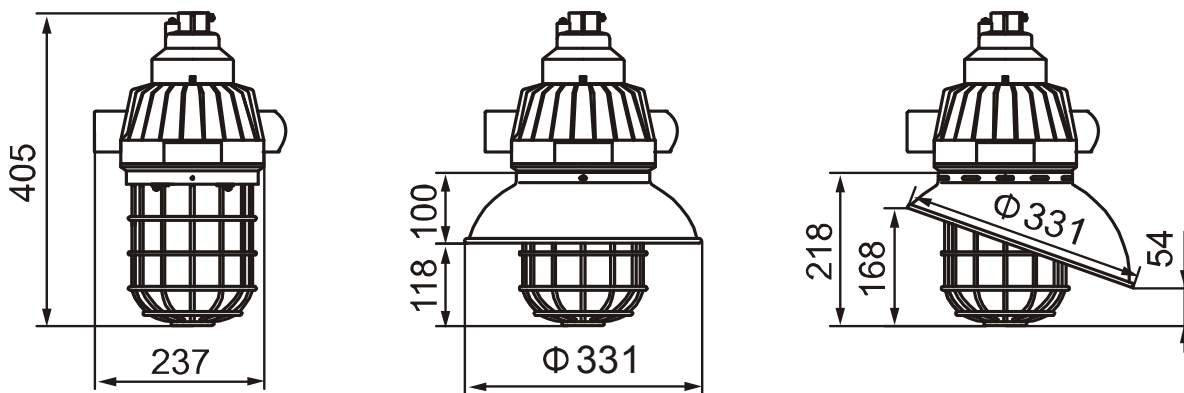
Terminal

: 3 x 1.5 ~ 4sqmm (L+N+PE)

Cable entries

: G 3/4" (pendant pole type and hook type)
4 x M25 (wall type and ceiling type); 1 x G1" (pole type)

Mounting type (all dimensions in mm) - subject to alteration



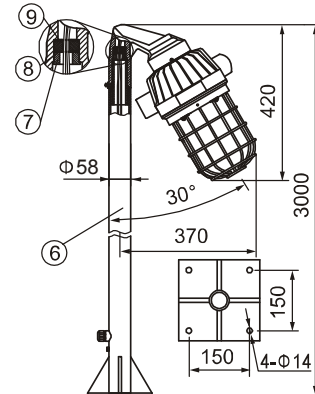
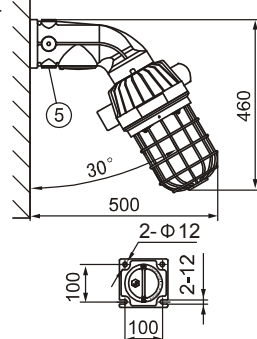
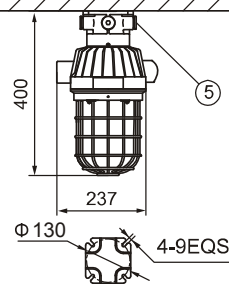
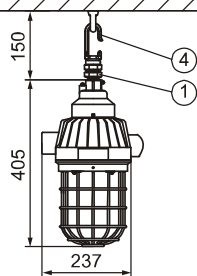
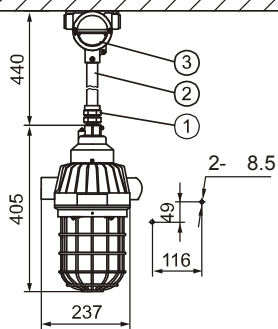
G: pendant pole type

D: hook type

X: ceiling type

B: wall type

L: pole type



Weight: 10.35kg

Accessories supplied with the light fittings

- ①.explosion-proof connector G3/4" (M)/M25 x 1.5 (F), carbon steel.
- ②.Straight pipe (M25 x 1.5), 300mm long.
- ③.Junction Box, Ex d IIC, copper-free aluminium)

Weight: 9.30kg

Accessories supplied with the light fittings:

- ①.explosion-proof connector G3/4" (M)/M25 x 1.5 (F), carbon steel.
- ④.Hook (stainless steel)

Weight: 9.45kg

Accessories supplied with the light fittings:

- ⑤.4 x M25 x1.5 Plug; Ex d cable gland (optional)

Weight: 11.20kg

Accessories supplied with the light fittings:

- ⑤.4 x M25 x1.5 Plug; Ex d cable gland (optional)

Weight: 9.70kg

Accessories supplied with the light fittings:

- ⑥.Pole shall be provided by user.
- ⑦.Locking bolt, 1No.
- ⑧.Washer, 2 Nos.
- ⑨.Seal ring, 1 No.


Explosionproof Pendant Light Fitting



- Explosion protection to
CENELEC
IEC
NEC
- Can be used in Zone 1 & 2 Zone 21 & 22
- Available lamp (max. 400w)
Metal halide lamp (HIE)
High pressure mercury lamp (HME)
High pressure sodium lamp (HSE)
- Three enclosure types: 125, 250, 400
- Integral control gear, easy installation and maintenance
- Explosionproof trigger, rapid starting, stable performance and long service life
- Wireless connection between body and top cover, easy installation and maintenance
- Powder coated wire guard, white
- Toughened glass cover resistant to temperature changes

Technical Data

Explosion Protection

Gas explosion protection :  II 2 G Ex d IIC T3 Ex d IIC T3 Gb
Dust explosion protection : Ex tD A21 T190°C IP65

Certificates

: ATEX / IECEx / FM(USA) / GOT.R (RUSSIA)

Material of Construction

Enclosure : Copper free aluminium, powder coated external surface, yellow (RAL1021)
Wire Guard : Powder coated carbon steel (white)
Transparent cover : Toughened glass, stands 4J impact
Ballast : Choke ballast, rapid starting, stable performance
Trigger : Explosionproof electronic trigger
Capacitor : Power factor ≥ 0.85 (compensated)
Internal reflector : High purity aluminium
External reflector (optional) : pure aluminium, anodised
Exposed fastener : Stainless steel

Lamp

Lamp holder : E40
Lamp Wattage : HIE: 175w, 250w
: HME: 175w, 250w
: HSE: 150w, 250w
Note: HPI European standard ballast is available in general

Rated Voltage

: 220 ~ 240V AC 50 (60Hz is optional)

Earthing Protection

: M5 (internal & external earth bolts)

Degree of Protection

: IP65

Ambient Temperature

: -20°C ~ +55°C

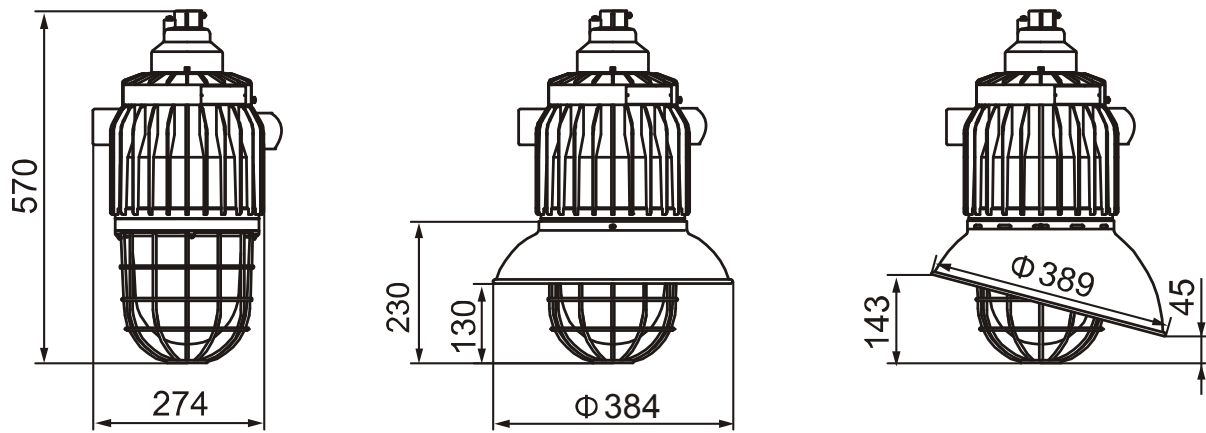
Terminal

: 3 x 1.5 ~ 4sqmm (L+N+PE)

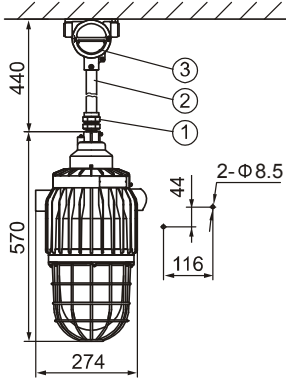
Cable entries

: 1 x G 3/4" (pendant pole type and hook type)
4 x M25 (wall type and ceiling type); 1 x G1" (pole type)

Mounting type (all dimensions in mm) - subject to alteration



G: pendant pole type

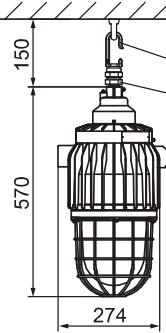


Weight: 17.20kg

Accessories supplied with the light fittings:

- ①. explosion-proof connector G3/4" (M)/M25 x 1.5 (F), carbon steel.
- ②. Straight pipe (M25 x 1.5), 300mm long.
- ③. Junction Box, Ex d IIC, cast iron

D: hook type

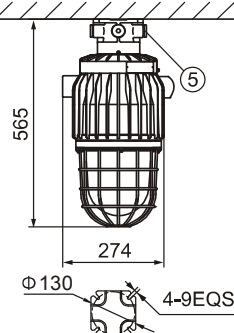


Weight: 14.55kg

Accessories supplied with the light fittings:

- ①. explosion-proof connector G3/4" (M)/M25 x 1.5 (F), carbon steel.
- ④. Hook (stainless steel)

X: ceiling type

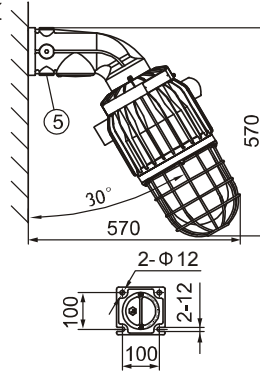


Weight: 15.20kg

Accessories supplied with the light fittings:

- ⑤. 4 x M25 x 1.5 Plug; Ex d cable gland (optional) (Ex d) is recommended.

B: wall type

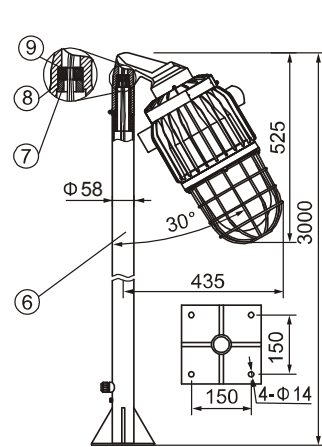


Weight: 16.95kg

Accessories supplied with the light fittings:

- ⑤. 4 x M25 x 1.5 Plug; Ex d cable gland (optional): DQM-II (Ex d) or DQM-III (Ex d) is recommended.

L: pole type



Weight: 15.50kg

Accessories supplied with the light fittings:

- ⑥. Pole shall be provided by user.
- ⑦. Locking bolt, 1 No.
- ⑧. Washer, 2 Nos.
- ⑨. Seal ring, 1 No.


Explosionproof Pendant Light Fitting



- Explosion protection to CENELEC IEC NEC
- Can be used in Zone 1 & 2 Zone 21 & 22
- Available lamp (max. 400w)
 - Metal halide lamp (HIE)
 - High pressure mercury lamp (HME)
 - High pressure sodium lamp (HSE)
- Three enclosure types: 125, 250, 400
- Integral control gear, easy installation and maintenance
- Explosionproof trigger, rapid starting, stable performance and long service life
- Wireless connection between body and top cover, easy installation and maintenance
- Powder coated wire guard, white
- Toughened glass cover resistant to temperature changes

Technical Data

Explosion Protection

Gas explosion protection :  II 2 G Ex d IIC T3
Dust explosion protection : Ex tD A21 T190°C IP65

Certificates

: ATEX / IECEX / FM(USA) / GOT.R (RUSSIA)

Material of Construction

Enclosure : Copper free aluminium, powder coated external surface, yellow (RAL1021)
Wire Guard : Powder coated carbon steel (white)
Transparent cover : Toughened glass, stands 4J impact
Ballast : Choke ballast, rapid starting, stable performance
Trigger : General trigger
Capacitor : Power factor ≥ 0.85 (compensated)
Internal reflector : High purity aluminium
External reflector (optional) : pure aluminium, anodised
Exposed fastener : Stainless steel

Lamp

Lamp holder : E40
Lamp Wattage : HIE: 400w
: HME: 400w
: HSE: 400w
Note: HPI European standard ballast is available in general

Rated Voltage : 220 ~ 240V AC 50 (60Hz is optional)

Earthing Protection : M5 (internal & external earth bolts)

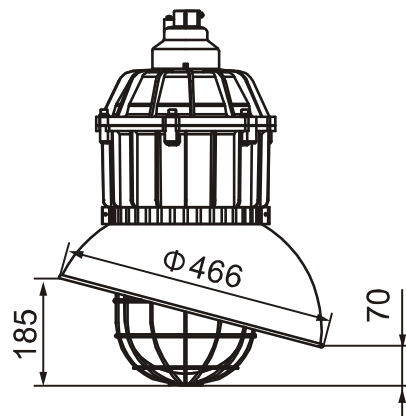
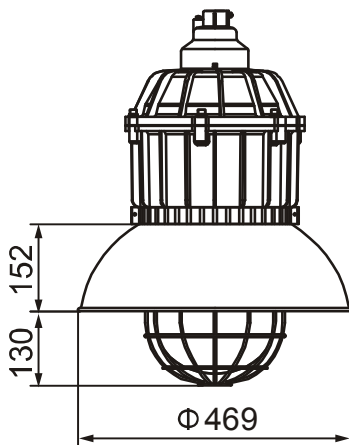
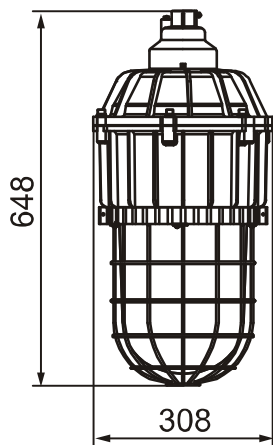
Degree of Protection : IP65

Ambient Temperature : -20°C ~ +55°C

Terminal : 3 x 1.5 ~ 4sqmm (L+N+PE)

Cable entries : 1 x G 3/4" (pendant pole type and hook type)
4 x M25 (wall type and ceiling type); 1 x G1" (pole type)

Mounting type (all dimensions in mm) - subject to alteration



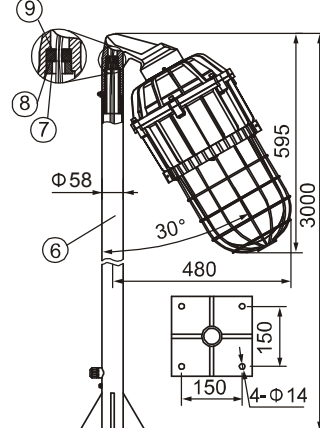
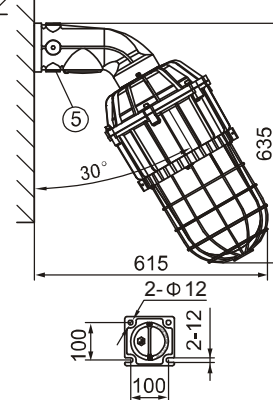
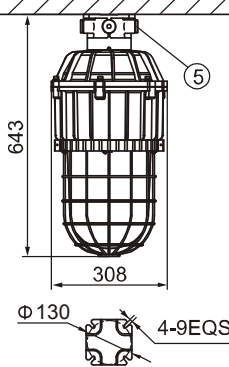
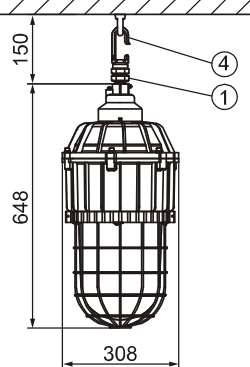
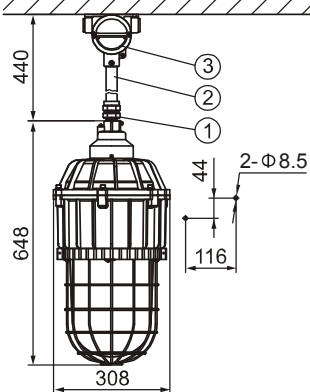
P: pendant polet type

D: hook type

X: ceiling type

B: wall type

L: pole type



Weight: 23.65kg

Accessories supplied with the light fittings:

- ①. explosion-proof connector G3/4" (M)/M25 x 1.5 (F), carbon steel.
- ②. Straight pipe (M25 x 1.5), 300mm long.
- ③. Junction Box, Ex d IIC, castiron

Weight: 20.85kg

Accessories supplied with the light fittings:

- ①. explosion-proof connector G3/4" (M)/M25 x 1.5 (F), carbon steel.
- ④. Hook (stainless steel)

Weight: 21.50kg

Accessories supplied with the light fittings:

- ⑤. 4 x M25 x1.5 Plug; Ex d cable gland (optional)

Weight: 23.25kg

Accessories supplied with the light fittings:

- ⑤. 4 x M25 x1.5 Plug; Ex d cable gland (optional)

Weight: 21.80kg

Accessories supplied with the light fittings:

- ⑥. Pole shall be provided by user
- ⑦. Locking bolt, 1 No.
- ⑧. Washer, 2 Nos.
- ⑨. Seal ring, 1 No.