

# Explosionproof Pendant Light Fitting



- Explosion protection to CENELEC IEC
- Can be used in Zone 1 & 2 Zone 21 & 22
- Available lamp:
  - Metal Halide lamp (HIE)
  - High Pressure Mercury lamp (HME)
  - High Pressure Sodium lamp (HSE)
  - Self ballast high pressure mercury lamp (SME)
  - Incandescent lamp (A)
- Fast opening, easy maintenance
- Powder coated wire guard, white
- Toughened glass cover resistant to temperature changes

## Technical Data

### Explosion Protection

Gas explosion protection :  II 2 G Ex d IIB T4

### Certificates

: ATEX / IECEx

### Material of Construction

Enclosure : Copper free aluminium, powder coated external surface, yellow (RAL1021)  
Wire Guard : Powder coated carbon steel (white) or stainless steel  
Transparent cover : Toughened glass, stands 4J impact  
Internal reflector : High purity aluminium  
External reflector (optional) : pure aluminium, anodised  
Exposed fastener : Stainless steel

### Lamp

Lamp holder : E27  
Lamp Wattage : HIE: 70w, 100w, 150w  
: HME: 80w, 125w  
: SME: 125w, 160w  
: HSE: 70w, 100w  
: A: 200w

### Rated Voltage

: 220 ~ 240V AC 50/60Hz

### Earthing Protection

: M5 (internal & external earth bolts)

### Degree of Protection

: IP65

### Ambient Temperature

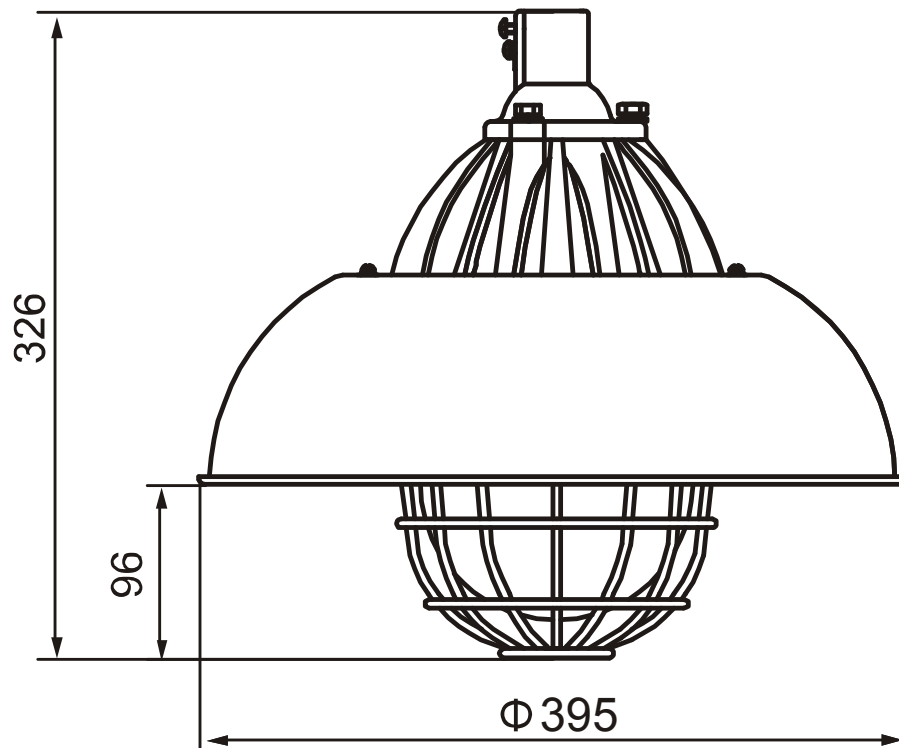
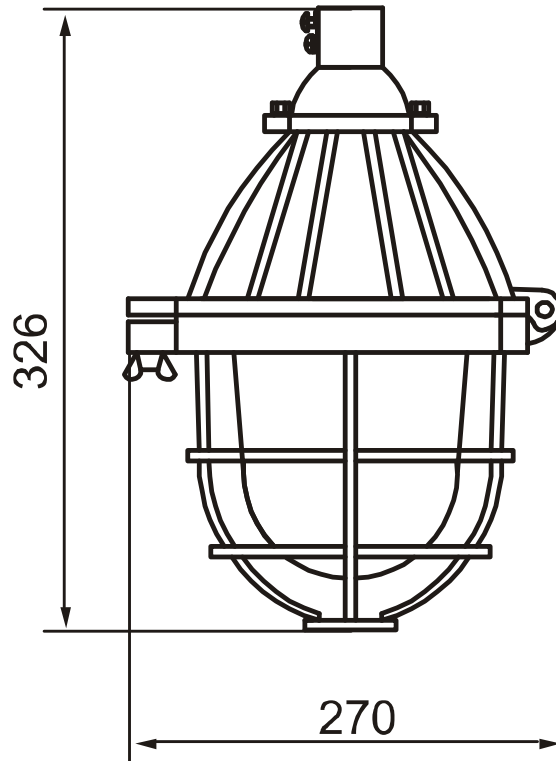
: -20°C ~ +55°C

### Terminal

: 3 x 1.5 ~ 4sqmm (L+N+PE)

### Cable entries

: G 3/4"



with external reflector