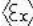


Explosionproof Energy Saving Light Fitting



Technical Data

Explosion Protection

Gas explosion protection :  II 2 G Ex d IIC T4 Gb
Dust explosion protection : Ex II 2 D Ex T IIIC T130°C Db IP66

Certificates

: ATEX / IECEx / FM(USA) / GOST.R (RUSSIA)

Material of Construction

Enclosure : Copper free aluminium, powder coated external surface, yellow (RAL1021)
Wire Guard : Powder coated carbon steel (white) or stainless steel
Transparent cover : Toughened glass, stands 4J impact
Exposed fastener : Stainless steel

Lamp

Lamp holder : E27
Lamp Wattage : Incandescent lamp: 25w , 40w , 60w , 100w
Energy-saving lamp: 9w , 11w (for sealed atmosphere)

Rated Voltage

: 220 ~ 240V AC 50/60Hz

Earthing Protection

: M5 (internal & external earth bolts)

Degree of Protection

: IP66

Ambient Temperature

: -40°C ~ +55°C

Terminal

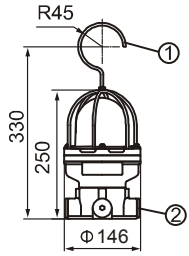
: 3 x 1.5 ~ 4sqmm (L+N+PE)

Cable entries

: 4 x M25

Mounting type (all dimensions in mm) - subject to alteration

Installation reference



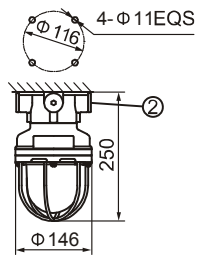
Weight: 2.70kg

Accessories supplied with the light fittings:

.Hook

②. 4 x M25 x1.5 Plug; Ex d cable gland

(Ex d) is recommended.



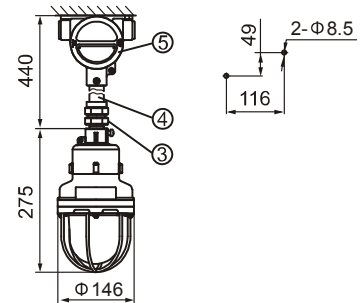
Weight: 2.50kg

Accessories supplied with the light fittings:

②. 4 x M25 x1.5 Plug; Ex d cable gland

(Ex d) is recommended.

~



Weight: 2.50kg

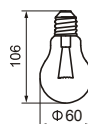
Accessories supplied with the light fittings:

explosion-proof connector

M25 x 1.5(M)/M25 x 1.5(F), carbon steel.

④. Straight pipe(M25 x 1.5),300mm long.

⑤. Junction Box Ex d IIC, copper-free aluminium



100W
Incandescent lamp



11W
Energy-saving lamp