

Explosionproof Energy Saving Light Fitting



- Explosion protection to CENELEC IEC
- Can be used in Zone 1 and 2 Zone 21 and 22
- Two enclosure types separately for 42w and 68w compact energy-saving lamps with good Performance including rapid starting, flash free, high lighting efficiency, long service life and energy saving
- The luminous intensity of 42w compact energy-saving lamp equals 80w mercury lamp, the luminous intensity of 68w compact energy-saving lamp equals 125w mercury lamp
- Powder coated wire guard, white
- Toughened glass cover resistant to temperature changes

Technical Data

Explosion Protection

Gas explosion protection :  II 2 G Ex d IIC T4
Dust explosion protection : Ex tD A21 T130°C IP65

Certificates

: ATEX / IECEx

Material of Construction

Enclosure : Copper free aluminium, powder coated external surface, yellow (RAL1021)
Wire Guard : Powder coated carbon steel (white)
Transparent cover : Toughened glass, stands 4J impact
Internal reflector : High-purity aluminium
External reflector (optional) : pure aluminium, anodised
Exposed fastener : Stainless steel

Lamp

Lamp holder : E27
Lamp brand : TCP (for sealed atmosphere)
Lamp Wattage : 42w ; 68w

Rated Voltage

: 220 ~ 240V AC 50/60Hz

Earthing Protection

: M5 (internal & external earth bolts)

Degree of Protection

: IP65

Ambient Temperature

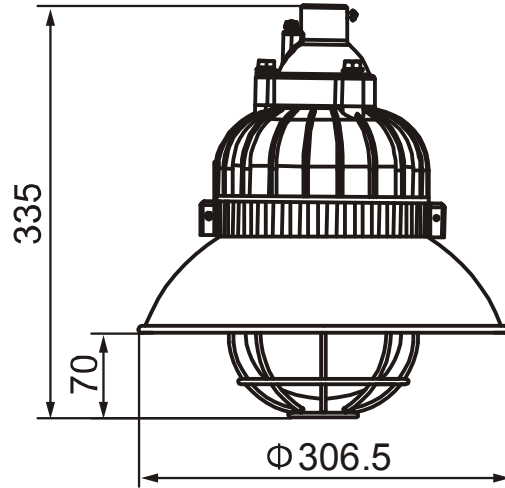
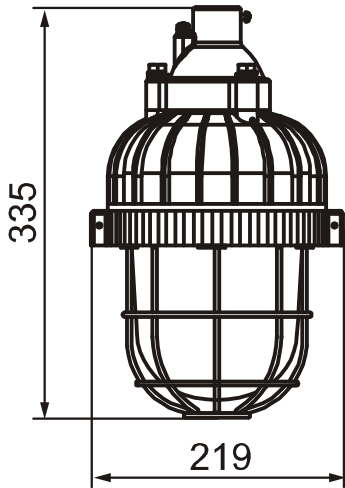
: -20°C ~ +55°C

Terminal

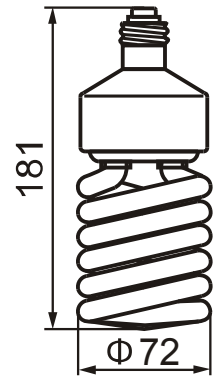
: 3 x 1.5 ~ 4sqmm (L+N+PE)

Cable entries

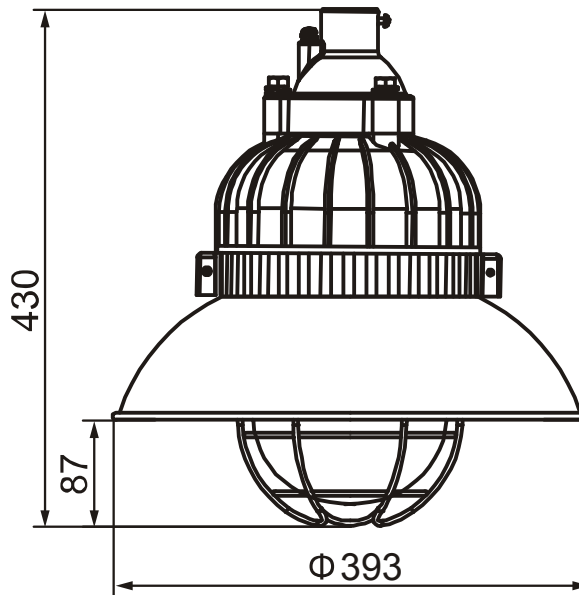
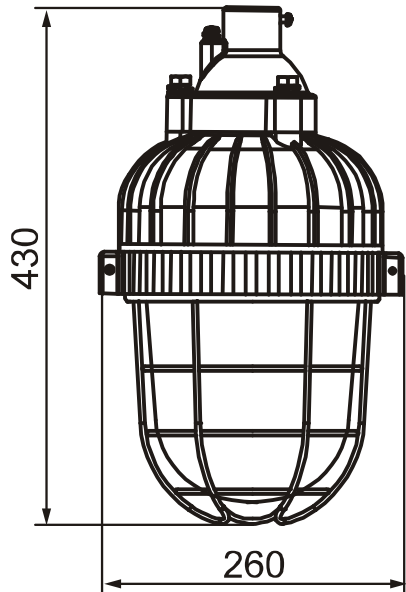
: 2 x G3/4"



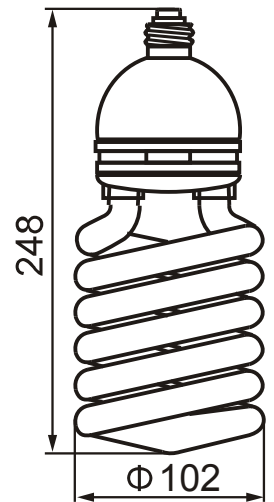
with external reflector



42 w compact energy-saving lamp



with external reflector



68 w compact energy-saving lamp