



Explosionproof Fluorescent Light Fitting



- Explosion protection to GENELEC IEC NEC
- Can be used in Zone 1 & 2 Zone 21 & 22
- Available in 18W, 36W
- Enclosure in glass fiber reinforced polyester, diffuser in polycarbonate, corrosion-proof
- Ex e enclosure with Explosionproof components inside
- Safety interlock between enclosure & diffuser switches off on opening
- Electronic ballast, power factor ≥ 0.95
- Emergency unit with protections against over charge & over Discharge
- End of lamp life (EOL) rectification effect protection

Technical Data

Explosion Protection

Gas explosion protection	:  II 2 G Ex deq IIC T4	Ex deq IIC T4 Gb
Dust explosion protection	:  II 2 D Ex tD A21 IP66 T80°C	Ex tD A21 IP66 T80°C

Certificates

: ATEX / IECEx / BRAZIL / SOUTH AFRICA / FM(USA) / GOST.R (RUSSIA)

Material of Construction

Enclosure	: GRP, stands 7J impact, corrosion-proof
Diffuser	: Polycarbonate, 90% light transmission, stands 7J impact
Ballast	: Explosionproof electronic ballast, power factor ≥ 0.95 , with protection against short circuit, overload, lamp aging, lamp damage & dissymmetry power of lamp tube
Exposed fastener	: Stainless steel

Interlock

: Explosionproof distance switch, switches off on opening

Lamp

Lamp Brand	: PHILIPS T8
Lamp Power wattage	: 18w x 1 ; 18w x 2 ; 36w x 1 ; 36w x 2

Rated Voltage

: 96 ~ 254V AC 50/60Hz

Protection class

: II (protection against electric shock)

Degree of Protection

: IP66

Ambient Temperature

: -20°C ~ +55°C

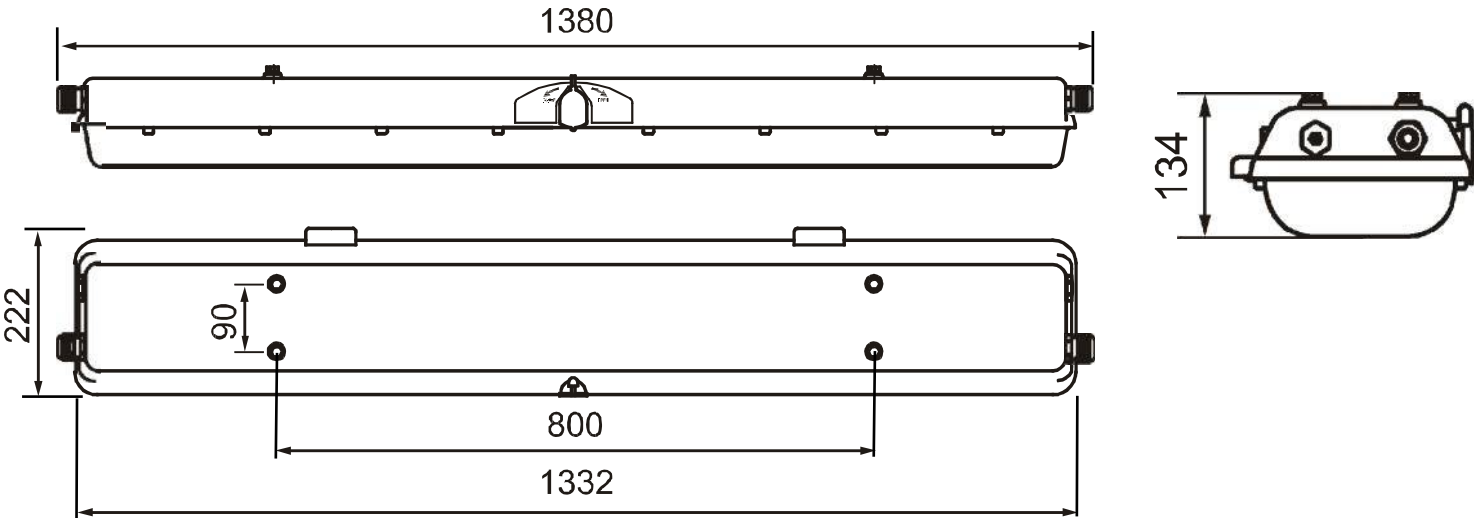
Terminal

: 3 x 1.5 ~ 4sqmm (L+N+PE)

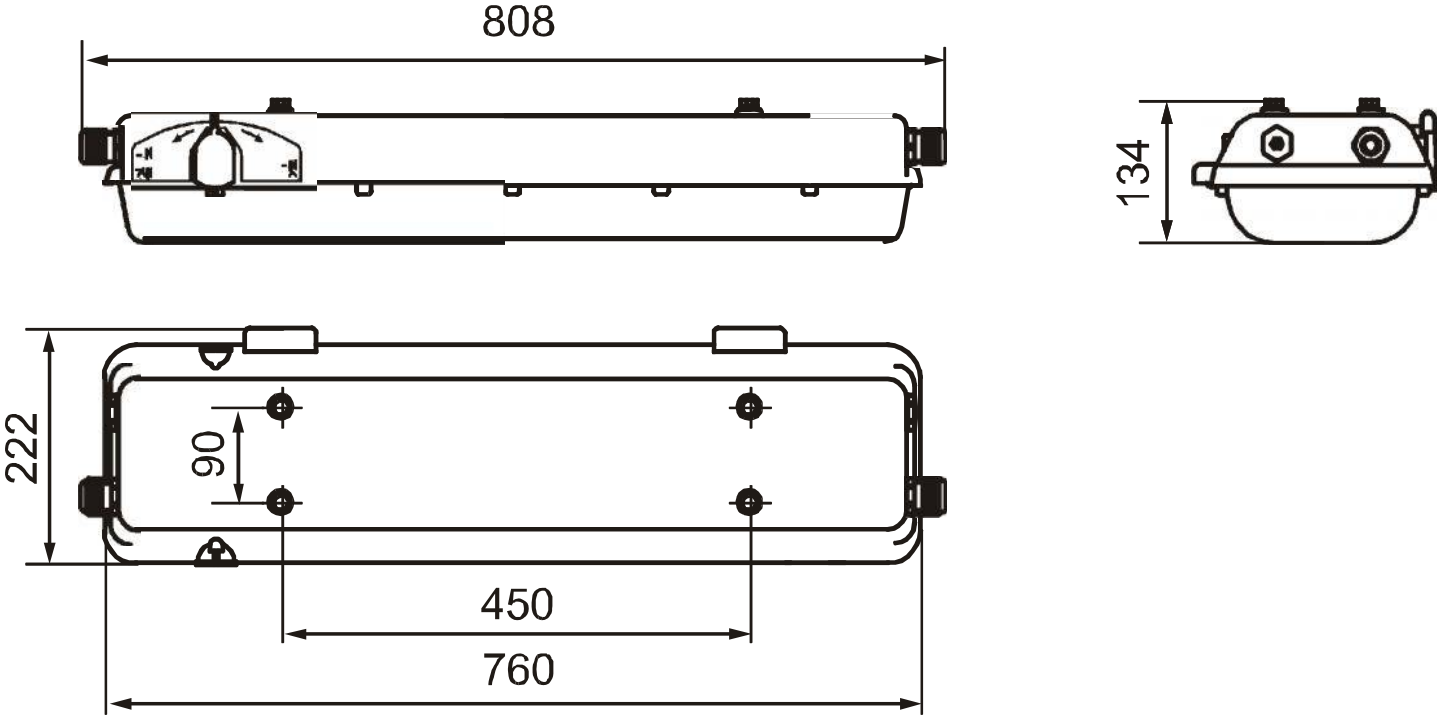
Cable entries

: 4 x M25

Dimension drawings (all dimensions in mm) - subject to alteration



MODEL : 36w x 1 ; 36w x 2



MODEL : 18w x 1 ; 18w x 2